



**Parts and Instruction Manual
TRS17-220 Total Recovery System**

Technical Specifications

Model:

TRS17-220

Model	TRS17-220
Solution Tank	17 gallon
Recovery Tank	15 gallon
Vacuum Motor	Single 3-stage
Pump	600 psi/.85 GPM – 480 psi nozzle
Water Lift	120"
Tank Construction	Polyethylene
Baseplate	¼" aluminum
Rear Wheels	10" non-marking
Casters	4" locking
Power Cord	50 ft.
Dimensions	39"H x 37"L x 22"W
Weight	108 lbs.
Electrical Draw	12.5 amps
Vacuum Hose	30'
Solution Hose	35'
Wand	Swivel wand with squeegee/brush head
Pressure Gun	Included
Fixture Drying Hose	45' x 1.25" Diameter

INSPECTION.....	4
SAFETY INSTRUCTIONS.....	5
GROUNDING.....	7
MAINTENANCE.....	8
MACHINE OVERVIEW.....	10
OPERATION.....	12
UPPER ASSEMBLY.....	16
UPPER ASSEMBLY BOM.....	17
UPPER ASSEMBLY BOM (PAGE 2).....	18
LOWER ASSEMBLY.....	19
LOWER ASSEMBLY BOM (PAGE 1).....	20
LOWER ASSEMBLY BOM (PAGE 2).....	21
LOWER ASSEMBLY BOM (PAGE 3).....	22
INCLUDED ACCESSORIES.....	23
WARRANTY.....	24

UNPACKING YOUR NEW TRS17 TOTAL RECOVERY SYSTEM:

When your package is delivered, check the carton carefully for signs of rough handling. If your TRS 17 is damaged, notify the carrier immediately and request an inspection. Be sure to keep the carton, packing inserts, packing lists and carrier's receipt until the inspector has verified your claim.

MINUTEMAN's liability ceases when the carrier picks up the shipment. However, our customer service staff will be happy to furnish any information needed in connection with the claim and will attempt to expedite a resolution.

**PLEASE READ BEFORE OPERATING YOUR NEW EQUIPMENT:**

Read the manual carefully and completely before attempting to operate the unit. This manual has important information for the use and safe operation of the machine. Keep this manual handy at all times.

This equipment has been engineered and manufactured to provide excellent performance and service. To ensure that your equipment will continue to perform as intended:

- Maintain equipment regularly- following the suggested maintenance schedule provided.
- Use only original MINUTEMAN parts when servicing.
- Operate equipment with care.

If additional information is needed, please contact:

MINUTEMAN INTERNATIONAL 630- 627-6900

All information and specifications printed in the manual are current at the time of printing; however because of MINUTEMAN's policy of continual product development, we reserve the right to make changes at any time without notice.

FAILURE TO COMPLY WITH THE FOLLOWING WARNINGS AND INSTRUCTIONS WILL VOID THE WARRANTY.

WARNING!

- The machine was designed for use on hard surfaces, applications as per instructions and recommendations written in this manual. Any deviation from its proper use or purpose and the consequential damage that may occur is the sole responsibility of the end user.
- Disconnect the power cord from the outlet before servicing. Do not leave machine connected to an electrical outlet when unattended.
- Do not immerse or use this machine in standing water. Such use may cause electric shock.
- When using an extension cord, use only a 3-prong conductor grounding cord-12 gauge wire or heavier.
- To avoid electric shock, do not expose the unit to rain or snow. Store it indoors in a heated location only.
- Do not use the machine for dry vacuuming.
- Use defoamer at all times to prevent damage to the vacuum motor.
- Do not use water in excess of 130°F (54°C) in the solution tank
- To prevent seal damage and chemical build-up to the pump system, run clean water through the solution lines after each day's use.
- Use only commercially available carpet cleaning solutions and defoamer intended for use with machines of this type. Do not use dyes, bleaches, ammonia, or other additives.
- The use of powdered cleaning solution, if not diluted properly, may result in damage to the pump. Powdered chemical is not recommended. If powdered chemicals are used, premix in a separate container before placing in the solution tank.
- Always read and understand your chemical's MSDS (Material Safety Data Sheet) before use.
- This equipment is not designed to handle or use combustible/volatile substances such as gasoline or kerosene, in, on, or near the machine. The use of such materials will cause extreme hazardous condition.

- Do not expose machine to freezing temperatures.
- All repairs must be done by an authorized MINUTEMAN repair station.
- Do not use replacement parts other than original MINUTEMAN parts.
- Do not allow your spray stream to remain in one fixed location as surface damage may occur.
- Check that all spray nozzles are securely fastened. Loose nozzles could be ejected from equipment at high speeds.
- Prevent burns by wearing gloves or using a barrier to remove hot quick disconnects.
- This is not a toy. Keep away from children.
- Do not pull by the power or use power cord as a handle. Always unplug by grabbing the plug and pulling, do not unplug by pulling the power cord.
- Inspect cord for damage. Do not use damaged cords. Connect only to properly grounded outlets.
- Keep hair, fingers, loose clothing, and body parts away from moving parts and openings.
- Turn off all controls before disconnecting machine
- Use caution with ejected liquid or chemicals. High pressures and temperatures could be hazardous to nearby people or surroundings.



ELECTRICAL - 220 Volt

Model: TRS17-220V

This machine is designed to operate on a standard 220 volt, AC circuit.

GROUNDING INSTRUCTIONS:

This piece of equipment must be grounded. Should an electrical malfunction occur, grounding provides a path of least resistance for electrical current- reducing the risk of electric shock. This piece of equipment is furnished with a cord that has a grounding conductor and grounding plug. The grounded plug must only be plugged into an appropriate outlet that is properly installed and grounded in accordance with all local codes and ordinances.

WARNING:

Connecting the equipment to an improperly grounded outlet can result in an increased risk of electric shock. A qualified electrician should be consulted if you are unsure that the outlet is properly grounded. Do not modify the plug provided with the equipment. If it will not fit the outlet, have a proper outlet installed by a qualified electrician.

This appliance is designed for use on a 220-volt circuit.

Extension cords connected to this machine should be 12 gauge, three-wire cords with three-prong plugs and outlets. DO NOT use extension cords more than 25 feet (7.6 m) long

MAINTENANCE:

This TRS-17 has been engineered and built to require minimum maintenance. But like any machine, it does require some care to keep it in optimum working condition. Careful attention to these maintenance instructions will give you maximum operating performance and life expectancy of the machine.

CAUTION: Disconnect the power cord from the outlet before doing any clean up or maintenance on the machine

1. Keep the machine clean. Do not allow dust to accumulate on external surfaces or near any moving parts.
2. After every job, wipe down the surface of the machine with a clean damp cloth.
3. Inspect cord for damage. Do not use machine with a damaged cord.

PERIODIC MAINTENANCE

- Use only chemicals safe for extractors
- Adhere to the appropriate mix ratios for all chemicals
- Do not add chemical to the solution tank- use the chemical feed system or pre-spray
- For optimal performance, it is suggested that the operator flush the system after every job or at the end of the day.
- Pump seals and valves may need to be replaced at the 1000 hour mark if a loss in pressure is noted
- The pressure regulator may require servicing should a pressure drop be noted

Daily:

- Flush chemical lines with water by placing clean water in the solution tank and using the pump to spray.
- Check and clean vacuum filter

Weekly:

- Check for obstructions in vacuum pathways
- Quarterly:
 - Check pump, plumbing and fittings for leaks
 - Check power cords and hoses for tears
 - Check and clean solution filter

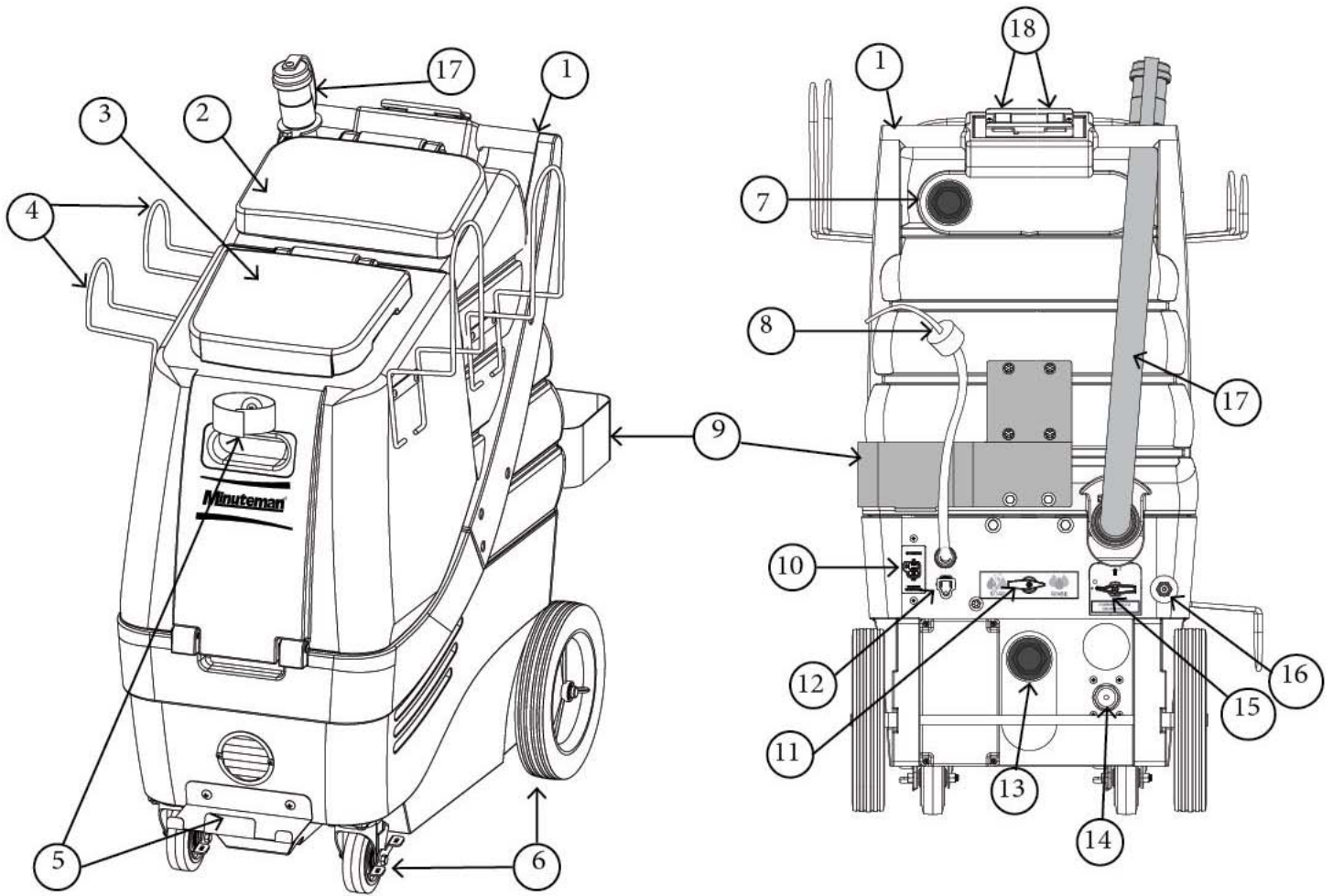
CORD STORAGE:

While not in use, storage can be accomplished by winding cord around handle assy. Cord should be completely unwound during operation.

CORD SAFETY

- Do not leave appliance when plugged in. Unplug from outlet when not in use and before servicing
- Do not use with damaged cord or plug. If appliance is not working as it should, has been dropped, damaged, left outdoors, or dropped into water, return to service center for inspection and repair.
- Do not pull or carry by cord, use cord as handle, close a door on cord, or pull cord around sharp edges or corners. Do not run this TRS-17 over cord. Keep cord away from heated surfaces.
- Do not unplug by pulling cord. To unplug, grasp the plug, not the cord.
- Do not handle plug or appliance with wet hands.
- This equipment should be stored indoors and not exposed to rain.

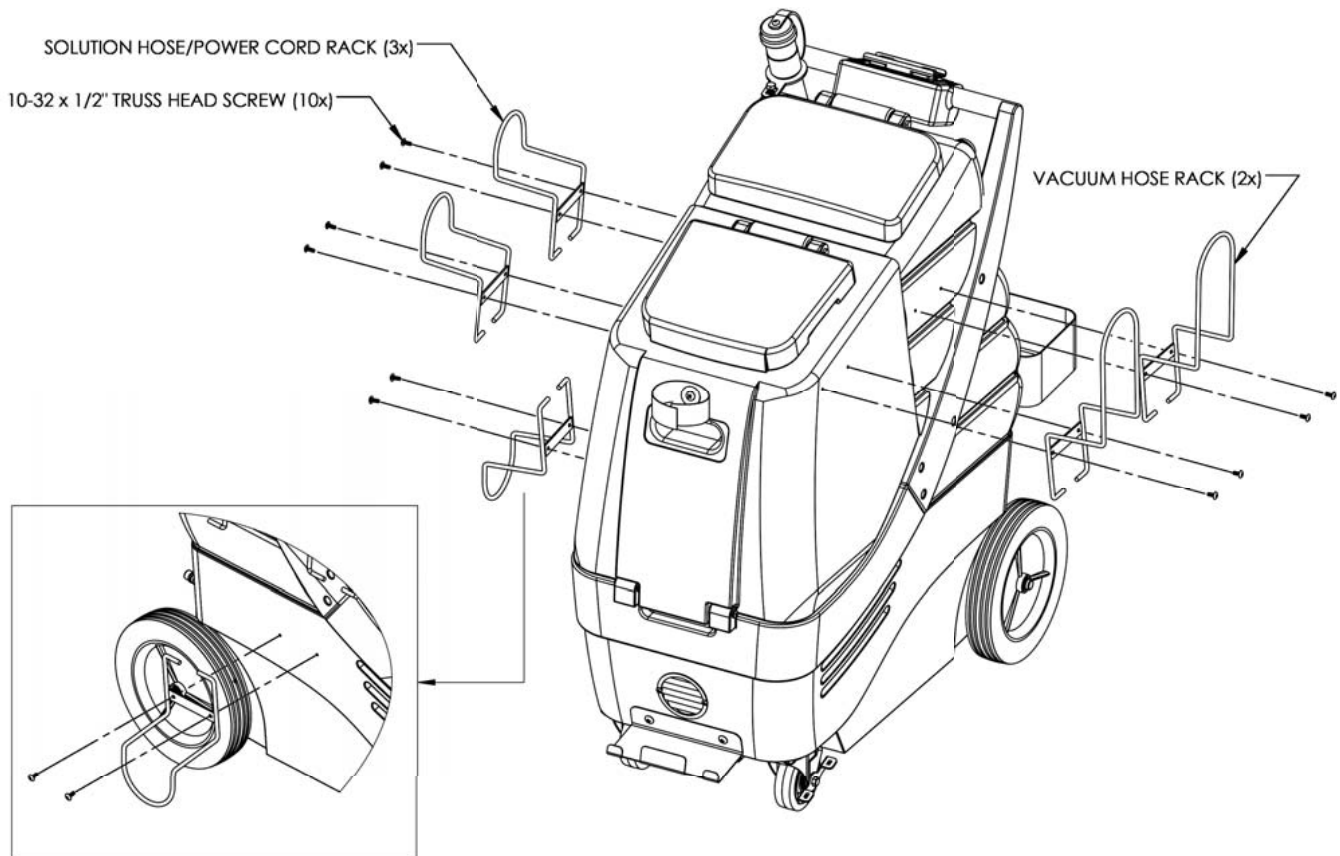
1. **Handle-** Used to maneuver and position the TRS-17. Contains switch box (For switchbox, see #17)
2. **Recovery tank & lid-** Lid allows access to recovery tank and creates a seal to ensure suction. Recovery tank collects waste water.
3. **Solution tank & lid-** Lid allows access to the solution tank and prevents external contamination of solution tank. Solution tank holds clean water or solution.
4. **Accessory racks for hoses, cords, tools etc.-** Two large racks on one side and three small racks other side of the machine. 5 total.
5. **Wand storage bracket and velcro strap-** Allows the operator to secure a wand attachment to the machine for ease of transport.
6. **Non-marking front 4" locking casters and rear 10" wheels.**
7. **Recovery/vacuum hose inlet barb-** connect your recovery vacuum hose to this barb
8. **Feed hose line for chemical with threaded bottle cap-** secures the feed hose line to the chemical bottle
9. **Bottle holder for chemical feed system-** Holds up to a one gallon chemical bottle
10. **N/A for 220v**
11. **Chemical dispensing valve-** Select between "SOAP" and "RINSE" by turning to left or right as marked
12. **Male twist lock pigtail-** Connects to 50 ft cord
13. **Exhaust port hose barb-** Used to connect to hose with blower attachment.
14. **Pressure regulator-** Decrease pressure by turning counter-clockwise or increase pressure by turning clockwise
15. **Priming/Pressure relief valve-** Prime system in the event of air lock. Relieves pressure in the event of pressure lock
16. **Solution line Q.D.-** Pressurized connection for solution line
17. **Recovery tank dump hose**
18. **Switch box-** one switch marked "PUMP" and one switch marked "VACUUM". Switches light up when powered on.



Assembling the accessory racks:

The TRS-17 is shipped with the accessory racks and hardware in the solution tank. When you receive your TRS-17, it is necessary to secure the racks to the body. The only tool required to complete the assembly is a Phillips head screwdriver.

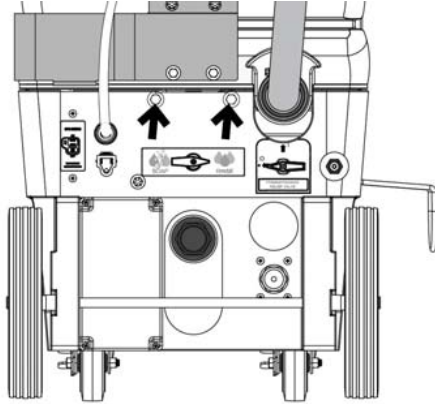
Locate the pre-installed threaded inserts on the sides of the machines. The vacuum hose racks are installed on the left of the machine (left when standing behind the machine). The three smaller racks are installed on the right side of the machine.



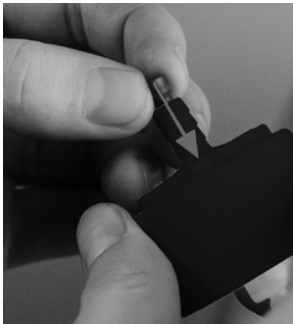
ACCESSORY RACK ASSEMBLY

Opening the machine:

This unit can be opened by simply removing two bolts located on the back of the machine. The unit will open forward by lifting up on the handle. If you need to open the unit further, you may release the vacuum hose going from the base of the vacuum plate to the bottom of the recovery tank by loosening the hose clamp.



Installing metering tips for the Chemical feed system:



Remove the semi-clear hose from the bottle cap (#8 on page 11). Select the appropriate metering tip for the dilution required and thread it into the tube on the bottle cap.

METERING TIP COLOR GUIDE:

TIP COLOR	RATIO	OZ/GAL	ML/L
TAN	128:1	1	7.8
PINK	64:1	2	15.6
LIGHT BLUE	43:1	3	23.4
RED	32:1	4	31.2
GREEN	26:1	5	39.1
YELLOW	13:1	10	78.2
PURPLE	6.5:1	20	156.4
NO TIP	5:1	25	203

Chemical feed system and hard surface cleaning:

The chemical feed system is designed to deliver accurate chemical dilution for touchless surface cleaning.

To clean hard surfaces:

1. Fill the solution tank of your TRS-17 with sufficient water for the task at hand.
2. Connect solution hose and accessory pressure gun.
3. Select the appropriate tip and install on the cap of the chemical feed (#8 on page 11).
4. Place a bottle into bottle holder (#9 on page 11).
5. Take the feed tube attached to the cap (#8 on page 11) and place it inside the bottle.
6. Take the cap from #8 on page 11 and thread it onto the bottle of chemical to secure it in place.
7. Turn the chemical dispensing valve (#11 on page 11) to the left toward the word “SOAP”.
8. Chemical will only draw accurately in the “LOW” pressure setting of your pressure gun. To activate the “LOW” pressure setting, pop the collar of the gun out.
9. In “LOW” pressure, apply chemical to the walls and fixtures starting from the lowest point to the highest.
10. Spray the floor as you make your way out of the room.
11. Allow the chemical to dwell according to the chemical manufacturers recommendations.
12. You may use the brush on your squeegee/brush wand to agitate particularly soiled areas.
13. When you are ready to rinse away the chemical, simply turn the chemical dispensing valve (#11 on page 11) to the word “RINSE”.
14. Set your pressure gun to the desired rinsing pressure by pulling the collar in or out. Rinse surfaces starting from the top down.
15. See “Recovering liquid” for final steps.

Recovering liquid from hard surfaces:

The TRS-17 is equipped with two dedicated tools for liquid recovery: The squeegee/brush wand and the Gulper tool.

1. Connect recovery vacuum hose to the recovery inlet barb (#7 on page 11).
2. Place the vacuum switch (see #18 on page 11) into the “ON” position.
3. Using either the squeegee/brush wand or the Gulper tool, to extract the liquid from the surface. (see page 23).
4. Monitor the levels in the recovery tank and empty as necessary. Use defoamer to ensure your vacuum motor does not take in foam/fluid.

Using the blower feature:

To use, this feature connect the Blower hose (#5 on page 23) to the exhaust port hose barb (#13 on page 11) and turn on the vacuum motor.

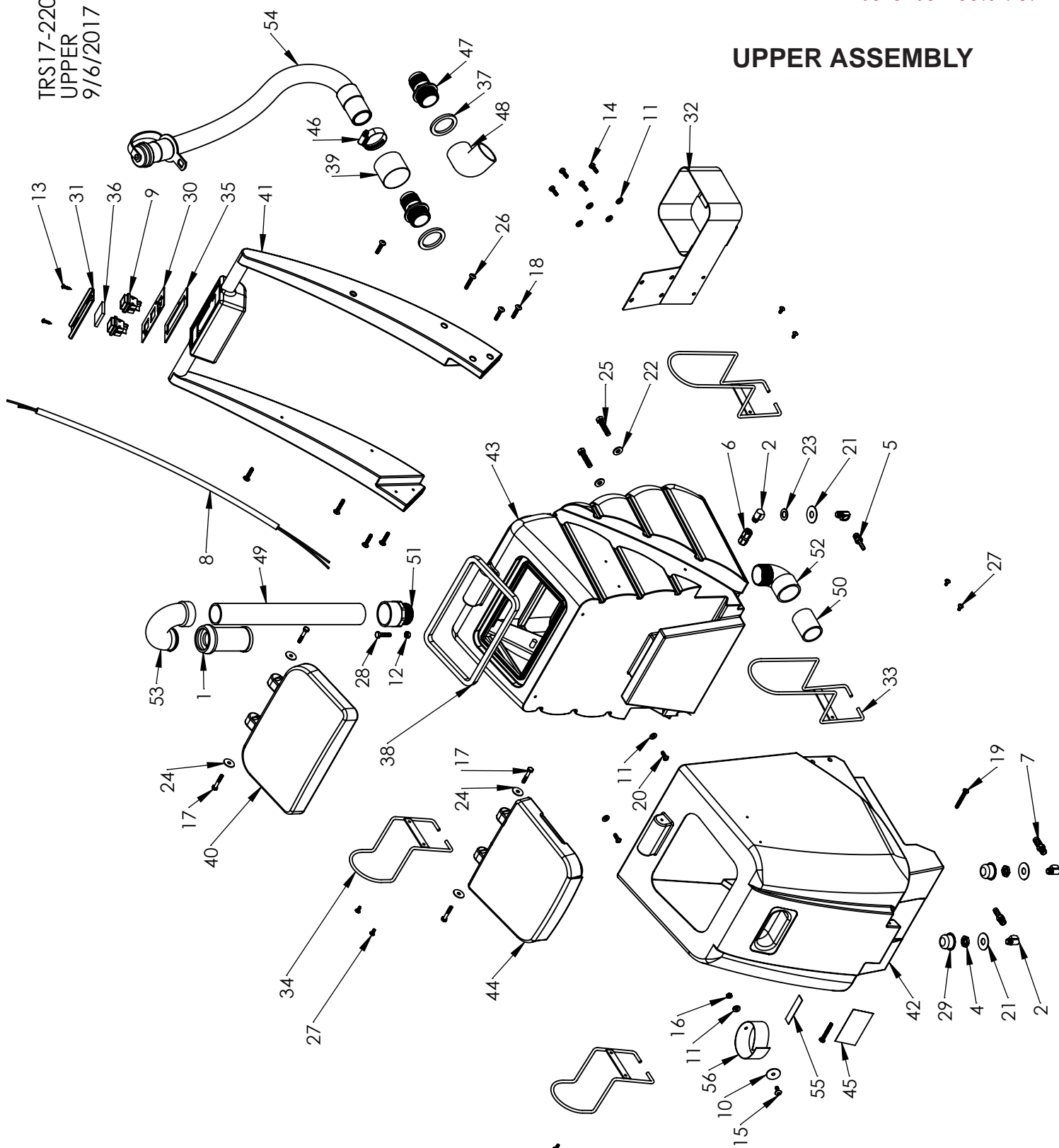
Convenient for:

- Blowing fluid off countertops and walls onto the floor
- Drying faucets and other fixtures
- Blowing off dust

NOTE: Do not leave the blower hose on during normal extraction as it will reduce suction.

TRS17-220
UPPER
9/6/2017

UPPER ASSEMBLY

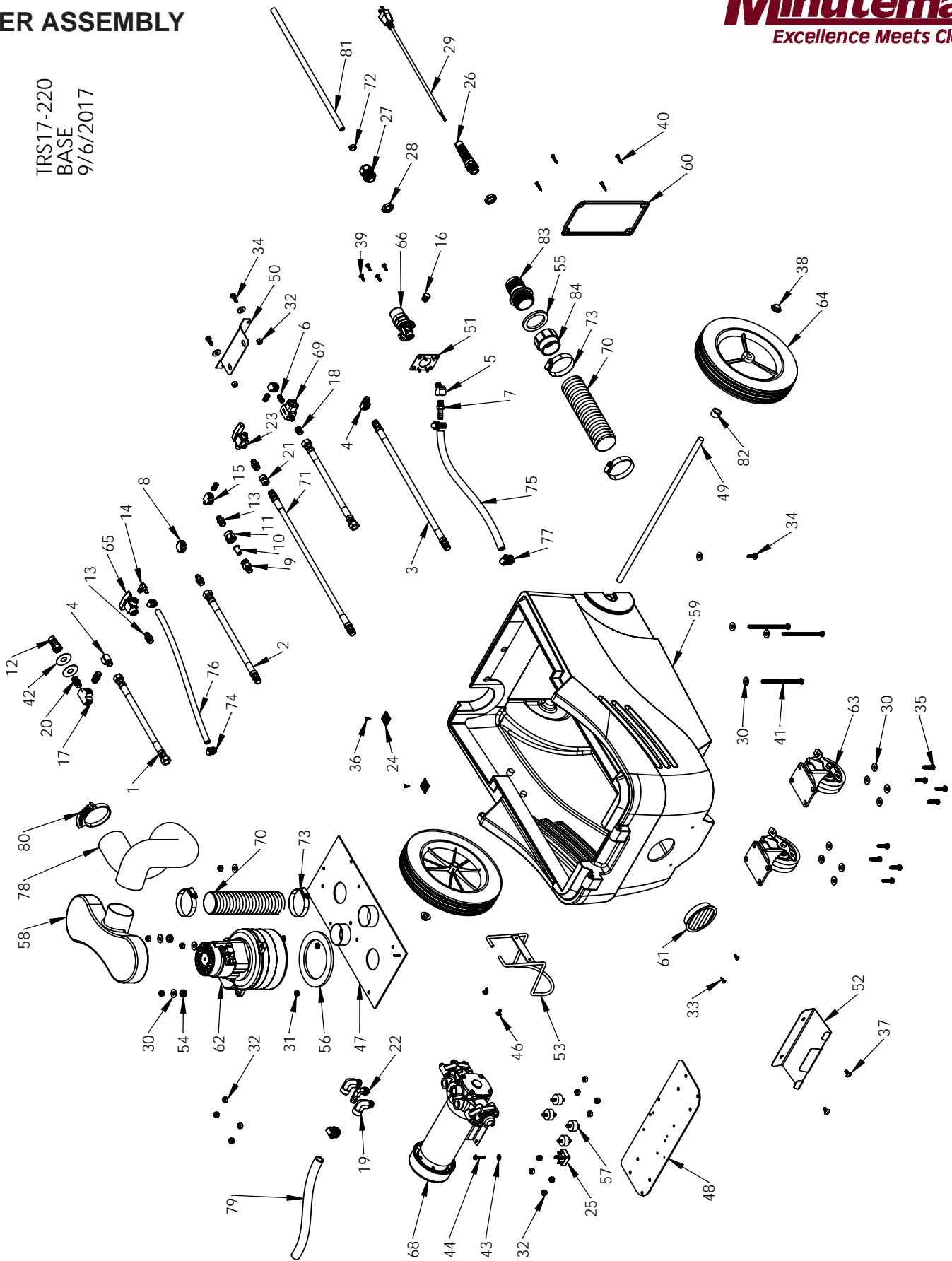


BILL OF MATERIAL			
ITEM	PART #	QTY	DESCRIPTION
1	10989-2A	1	BALL FLOAT
2	A00052	4	90 DEGREE ELBOW, .25" MP X .25" FP
3	A00060	1	BARB, .375" X .25" MPT, BRASS
4	A00124	2	LOCKNUT, .25NPT, BRASS
5	A00139	1	BARB, .25 X .25MP, BRASS
6	A13881	1	CHECK VALVE
7	A90004	1	BARB, .5 X .25MP, BRASS
8	B010314	1	WIRE HARNESS
9	B02211-1	2	ROCKER SWITCH
10	C00234	1	WASHER, FENDER, .25" ID, SS
11	C00238	7	1/4" ID SEALING WASHER
12	C00262	1	HEX NUT, 5/16-18, ZP
13	C00295-1	2	#10 X 3/4" SHEET METAL SCREW, SS
14	C00313	4	1/4-20 X .75" HEX BOLT
15	C00316	1	SCREW, 1/4-20 X 3/4, PH, SS
16	C02251	1	JAM NUT, 1/4-20, SS
17	C02282	4	HEX BOLT, 1/4-20 X 1 1/2"
18	C02294	6	SCREW, 1/4-20 X 1 1/4, SS
19	C11144	2	SCREW, 1/4-20 X 2" SS
20	C11167	2	1/4-20 X 3/4" SCREW, SS
21	C11244	3	WASHER, 9/16" ID X 1.5" OD
22	C11540	2	WASHER, 5/16"
23	C12021	1	WASHER, FLAT, 9/16 ID, SS
24	C12039	4	FENDER WASHER, 1/4" ID, 1" OD
25	C12110	2	HEX BOLT, 3/8-16 X 1 3/4
26	C13361	2	SCREW, 1/4-20 X 1 1/2, TRUSS, SS
27	C14017	8	SCREW, 10-32 X 1/2", TRUSS
28	C14067	1	HEX SCREW, 5/16-18 X 1 1/4", SS

BILL OF MATERIAL			
ITEM	PART #	QTY	DESCRIPTION
29	D00373	2	FILTER, INLET
30	D010284	1	SWITCHPLATE
31	D03421	1	COVER, SWITCHPLATE, 2 SWITCH
32	D13683	1	CHEMICAL BOTTLE HOLDER
33	D13697-2	2	HOSE RACK
34	D13698-2	2	RACK, SOLUTION HOSE/POWER CORD
35	E010453	1	GASKET, SWITCH BRACKET
36	E03433	1	GASKET, SWITCH BRACKET
37	E11128	2	DRAIN VALVE GASKET
38	E11836	1	GASKET, RECOVERY TANK, LID
39	E14058	1	SHRINK TUBING, 2.5" ID X 2.0" L
40	F11785-1-MM	1	LID, RECOVERY TANK
41	F11786-1-MM	1	HANDLE
42	F11787-1-MM	1	SOLUTION TANK
43	F11788-1-MM	1	RECOVERY TANK
44	F11791-1-MM	1	LID, SOLUTION TANK
45	H13699	1	DECAL, MINUTEMAN, WHITE
46	J00650	1	SCREW CLAMP #24 1.25 INCH
47	K00665-1	2	1.5" HOSE ADAPTER
48	K00666	1	1-1/2" 90 DEGREE ELBOW
49	K00672	1	PVC PIPE, 1.5" SCH40, 1.3125'
50	K00672-1	1	PVC PIPE, 1 1/2" X 2.25", SCH40
51	K00741	1	ADAPTER, MALE, 1 1/2", SCH40
52	K11185	1	90 DEGREE ELBOW, SCH40, MPT, SF
53	K11965	1	RETURN BEND, 1 1/2"
54	K13724	1	DRAIN HOSE ASSEMBLY
55	S11179	1	NON-SKID TAPE
56	S13706-A	1	STRAP, WAND, VELCRO

LOWER ASSEMBLY

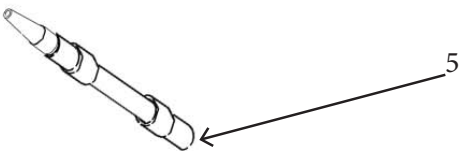
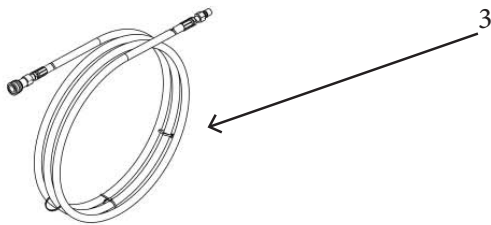
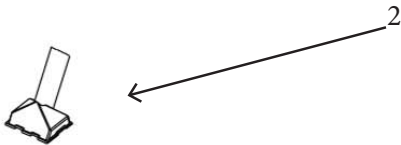
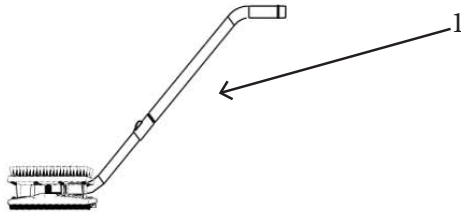
TRS17-220
BASE
9/6/2017



BILL OF MATERIAL			
ITEM	PART #	QTY	DESCRIPTION
1	--	2	HOSE ASSEMBLY
	J00580	1	HIGH PRESSURE/TEMP HOSE .25" ID X 10" L
	J00660	2	SWAGE FITTING, .25" FP
2	--	1	HOSE ASSEMBLY, .25" MP X .25" FP, 10" L
	J00580	1	HIGH PRESSURE/TEMP HOSE .25" ID X 10" L
	J00659	1	SWAGE FITTING, .25" MP
	J00660	1	SWAGE FITTING, .25" FP
3	--	1	HOSE ASSEMBLY, .25" MP X .25" MP, 35" L
	J00580	1	HIGH PRESSURE/TEMP HOSE .25" X 35"
	J12932	2	CRIMP, .25" X .25" MPT, SWIVEL
4	A00052	2	90 DEGREE ELBOW, .25" MP X .25" FP
5	A00053	1	45 DEGREE ELBOW, .25" MP X .25" FP
6	A00055	3	NIPPLE, .125", CLOSE, BRASS
7	A00060	1	BARB, .375" X .25" MPT, BRASS
8	A00073	2	90 DEGREE ELBOW, BRASS
9	A00094C	1	BODY, CHECK VALVE, .25" M
10	A00094E	1	CHECK VALVE
11	A00097A	1	CAP, INLINE FILTER
12	A00104	1	QD, .25" M X .25" FP, BRASS
13	A00114B	4	HEX NIPPLE, .25" MP X .125" MP
14	A00134	1	90 DEGREE ELBOW, .25" BARB X .125" MPT
15	A00135	1	TEE, .125" FP X .125" FP X .125" MP
16	A00155	1	PLUG, MALE, .25"
17	A00161	1	TEE, .25" FP X .25" FP X .25" FP
18	A00168-18	1	BUSHING, .25" M X .125" F
19	A12917	2	ELBOW, .25" F X .375" M, NPT
20	A12960	2	NIPPLE, HEX, .25" X .25", BRASS
21	A12964	1	COUPLER, .25", BRASS
22	A13430	1	BARB, ELBOW, .375" MP X .5" BARB
23	A13688	1	BALL VALVE, 3-WAY, .125"
24	B00192	2	TIE HOLDER, W/ ADHESIVE

BILL OF MATERIAL			
ITEM	PART #	QTY	DESCRIPTION
25	B02229	1	BRIDGE RECTIFIER, 25A
26	B11606	1	STRAIN RELIEF, PIGTAIL
27	B11821	1	STRAIN RELIEF
28	B11832	2	STRAIN RELIEF NUT
29	B02218	1	POWERCORD
30	C00233	18	FLAT WASHER, USS, SAE, .25" ID
31	C00261	3	HEX NUT, 1/4-20
32	C00273	22	1/4-20 NYLON-INSERT LOCKNUT
33	C00293	2	#8-32 X 0.5" PAN HEAD SCREW
34	C00313	3	1/4-20 X .75" HEX BOLT
35	C00314-1	8	HEX BOLT 1/4-20 X 1"
36	C02237	2	SCREW, #8 X .5" SMS, FH
37	C02242	2	SCREW, 1/4-20 X 1/2", TRUSS
38	C02305	2	CAP NUT, 1/2" PUSH-ON
39	C10737	6	#8-32 X .625" TRUSS HEAD SCREW, SS
40	C11165	4	SCREW, #8 X 1", PH, SMS
41	C11189	3	HEX BOLT, 1/4-20 X 4.5"
42	C11244	2	WASHER, 9/16" ID X 1.5" OD
43	C11955	1	WASHER, #10
44	C13026	1	SCREW, 10-32 X 1" HEX
45	C13120	2	#8-32 HEX NUT W/ LOCK WASHER
46	C14017	2	SCREW, 10-32 X 1/2", TRUSS
47	D11134-1	1	PLATE, VACUUM BASE
48	D11835	1	PLATE, PUMP
49	D13188	1	SHAFT, WHEEL, 18" X 0.625"
50	D13347	1	BRACKET
51	D13620	1	PLATE, REGULATOR
52	D13684	1	BRACKET, WAND
53	D13698-2	1	RACK, SOLUTION HOSE/POWER CORD
54	E00449	3	GROMMET

BILL OF MATERIAL			
ITEM	PART #	QTY	DESCRIPTION
55	E11128	1	DRAIN VALVE GASKET
56	E11169	1	GASKET, VACUUM MOTOR
57	E13867	4	SANDWICH MOUNT, NEOPRENE
58	F11178-1	1	INTERCOOLER, SINGLE PORT
59	F11789-1-MM	1	BASE
60	F11790-1-MM	1	COVER PLATE, HEATER PORT
61	F13820	1	LOUVER, 3", BLACK
62	G13554	1	MOTOR, VACUUM
63	G03518-L	2	CASTER, LOCKING, 4"
64	G11767	2	WHEEL, 10" X 1.75"
65	G13380	1	VALVE, PRESSURE RELIEF
66	G13634	1	REGULATOR, 300-500PSI
68	G13869-1	1	PUMP
69	G14021	1	CHEMICAL INJECTOR
70	J00618	2	2" ID HOSE
71	J00632-1	1	PULSE HOSE, 32"
72	J00635	1	CLAMP, TUBE, .5" ID
73	J00639	4	2" ID HOSE CLAMP
74	J00651	2	HOSE CLAMP, .25" TO .625"
75	J11154	1	SOLUTION HOSE, 100PSI, WIRE, .375" ID X 5' L
76	J11154-1	1	SOL. HOSE .25" ID X 4.9'
77	J11508	4	SCREW CLAMP, #6
78	J11863	1	HOSE, INTERCOOLER
79	J11933	1	HOSE, POLYWIRE, PVC, .5" ID
80	J13152	1	CLAMP, HOSE, DOUBLE GRIP
81	J14016	1	TUBING, CLEAR, .25" ID, .5" OD, 5FT
82	K00662-50	2	SPACER, .5" X .5"
83	K00665-1	1	1.5" HOSE ADAPTER
84	K13843	1	ADAPTER, 1.5" PVC, SCH40



Included Accessories

1. Part# 334ACH-2

2 piece wand and reversible brush/squeegee head assembly. For scrubbing on one side and picking up water on the other. Connects to hose #4 on this page.

2. Part# K13686

“Gulper” tool used to extract large volumes of water. Connects to hose #4 on this page.

3. Part# 00604-35HPA

35FT high pressure solution line. Connects to quick disconnect on TRS17 (#16 on page 4)

4. Part #J14063A

30 FT Vacuum Hose. Connects to vacuum hose inlet barb on TRS17 (#7 on page 4)

5. Part #J14039A

45ft Blower hose. Connects to Exhaust port on TRS17 (#13 on page 4)

6. Part #9000AC-1

High Pressure gun. Connects to hose #3 on this page.

Minuteman International Made Simple Commercial Limited Warranty

REVISION P EFFECTIVE 5/1/2017

Minuteman International, Inc. warrants to the original purchaser/user that the product is free from defects in workmanship and materials under normal use. Minuteman will, at its option, repair or replace without charge, parts that fail under normal use and service when operated and maintained in accordance with the applicable operation and instruction manuals. All warranty claims must be submitted through and approved by factory authorized repair stations.

This warranty does not apply to normal wear, or to items whose life is dependent on their use and care, such as belts, cords, switches, hoses, rubber parts, brushes, electrical motor components or adjustments. Parts manufactured by Minuteman are covered by and subject to the warranties and/or guarantees of their manufacturers. Please contact Minuteman for procedures in warranty claims against these manufacturers.

Special warning to purchaser -- Use of replacement filters and/or pre-filters not manufactured by Minuteman or its designated licensees, will void all warranties expressed or implied. A potential health hazard exists without original equipment replacement.

All warranted items become the sole property of Minuteman or its original manufacturer, whichever the case may be.

Minuteman disclaims any implied warranty, including the warranty of merchantability and the warranty of fitness for a particular purpose. Minuteman assumes no responsibility for any special, incidental or consequential damages.

This limited warranty is applicable only in the U.S.A. and Canada, and is extended only to the original user/purchaser of this product. Customers outside the U.S.A. and Canada should contact their local distributor for export warranty policies. Minuteman is not responsible for costs or repairs performed by persons other than those specifically authorized by Minuteman. This warranty does not apply to damage from transportation, alterations by unauthorized persons, misuse or abuse of the equipment, use of non-compatible chemicals, or damage to property, or loss of income due to malfunctions of the product.

If a difficulty develops with this machine, you should contact the dealer from whom it was purchased.

This warranty gives you specific legal rights, and you may have other rights which vary from state to state. Some states do not allow the exclusion or limitation of special, incidental or consequential damages, or limitations on how long an implied warranty lasts, so the above exclusions and limitations may not apply to you.

Model	Parts	Labor	Poly	Travel**
Cord Electric Group	5yrs	3yrs	12yrs	90 days
Battery Auto Scrubbers (incl. on board charger)	5yrs	3yrs	12yrs	90 days
Battery and Manual Sweepers	3yrs	3yrs	12yrs	90 days

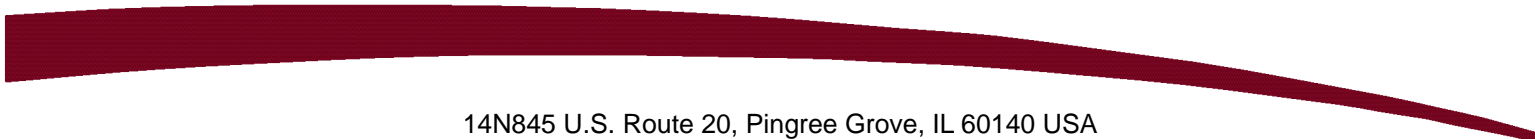
Exceptions.....

Model	Parts	Labor	Poly	Travel**
Port A Scrub, all models (incl. on board charger)	1yr	6months	12yrs	90 days
A3S Blower	1yr	1yr	0	0
Phenom Dual Motor Upright Vacuums	2yrs	2yrs	0	0
Explosion Proof Vacuum	1yr	1yr	0	0
Propane Burnisher	1yr	1yr	0	90 days
E14BQP and E14115 scrubber	1yr	1yr	12yrs	90 days
**Travel, 2 hours max				

<i>Stand-alone Battery Chargers:</i>	One year
<i>Replacement Parts:</i>	Ninety days
<i>Batteries:</i>	0-3 months full replacement, 4-12 months pro-rate
<i>Polypropylene Plastic Tanks:</i>	12yr warranty, no additional labor

“Excellence Meets Clean”

**Minuteman is a Full Line Manufacturer of Sweepers and Scrubbers,
for Industrial Facilities.**



14N845 U.S. Route 20, Pingree Grove, IL 60140 USA
Phone (800) 323-9420 - www.minutemanintl.com
A Member of the Hako Group